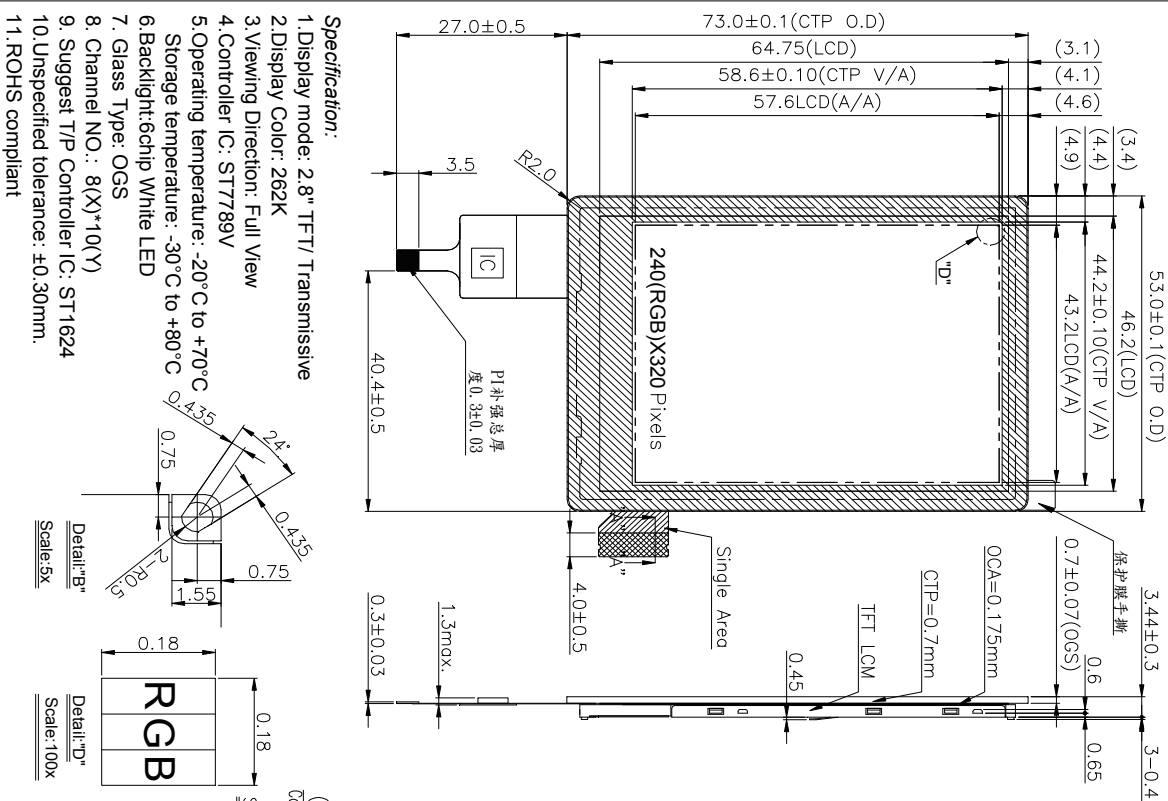


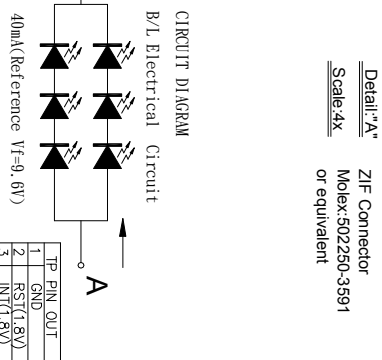
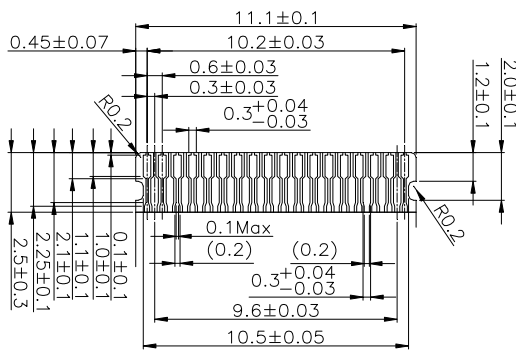
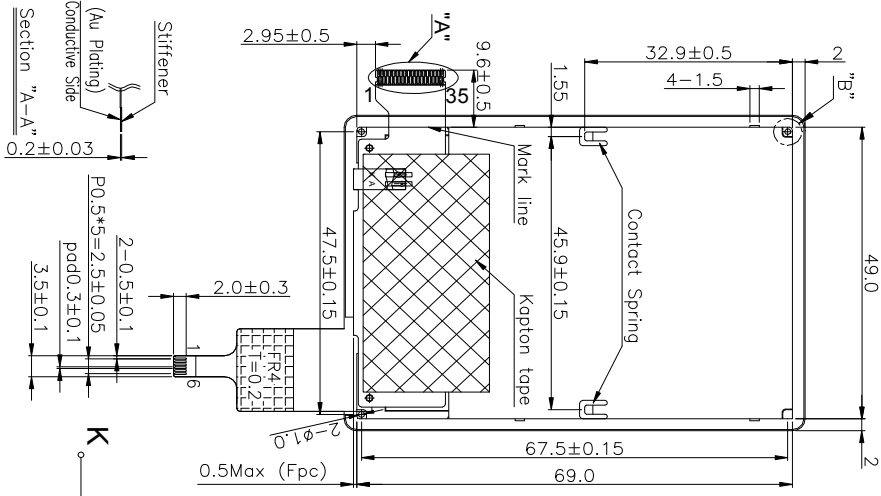
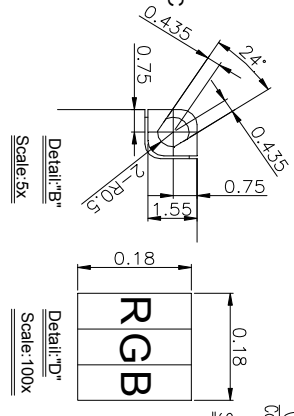


5. LCM drawing:

Rec:	Count drawing & Spec. revision record during discussion with customer	Date
#1	Revision content description FIRST ISSUE	2016-12-10



- Specification:**
1. Display mode: 2.8" TFT/ Transmissive
 2. Display Color: 262K
 3. Viewing Direction: Full View
 4. Controller IC: ST7789V
 5. Operating temperature: -20°C to +70°C
 6. Storage temperature: -30°C to +80°C
 7. Backlight: 6chip White LED
 8. Glass Type: OGS
 9. Channel NO.: 8(X)*10(Y)
 10. Suggest T/P Controller IC: ST1624
 11. Unspecified tolerance: ±0.30mm.
 12. ROHS compliant



NO.	SYMBOL	FPC PIN OUT	LCD MODULE
1	GND		
2	IM0		
3	IM1		
4	TE		
5	GND		
6	DB17		
7	DB16		
8	DB15		
9	DB14		
10	DB13		
11	DB12		
12	DB11		
13	DB10		
14	DB9		
15	DB8		
16	IOVCC		
17	DB7		
18	DB6		
19	DB5		
20	DB4		
21	DB3		
22	DB2		
23	DB1		
24	DB0		
25	/CS		
26	RS		
27	/WR		
28	/RD		
29	/RST		
30	VCI		
31	GND		
32	LED+		
33	GND		
34	LED-		
35	GND		

		UNIT	mm
		SIZE	A4
MOD. Name YB-TG240320S27A-C-A		SCALE	N-T-S
		DESIGNED	蔡模豐 2016-12-10
FILE NAME Count Dwg.		CHECKED	
		VERIFIED	
SHEET 1 of 1		APPROVED	