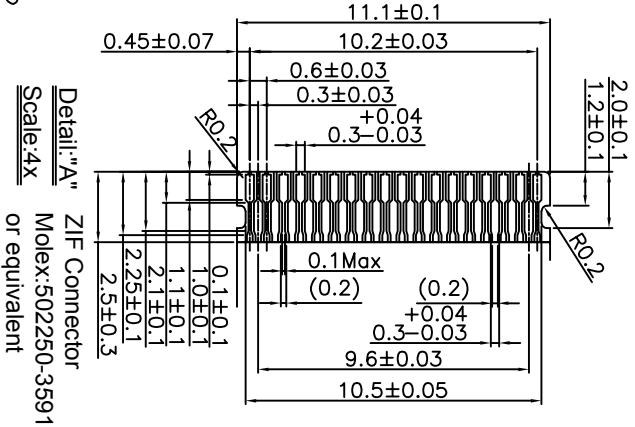
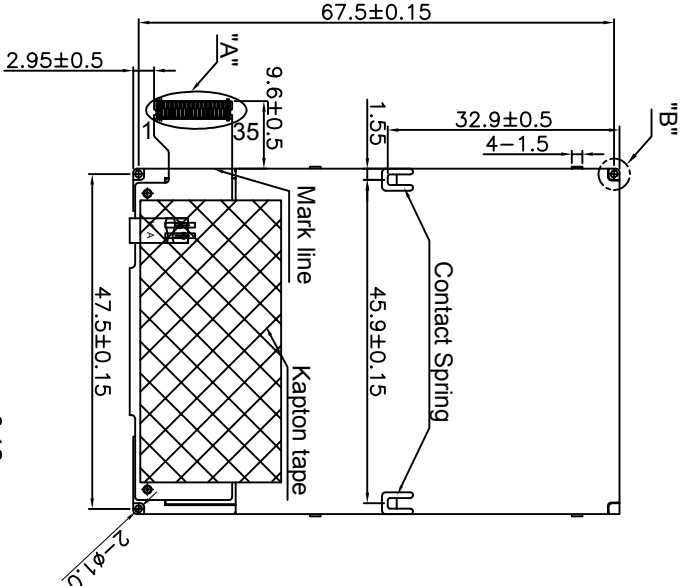
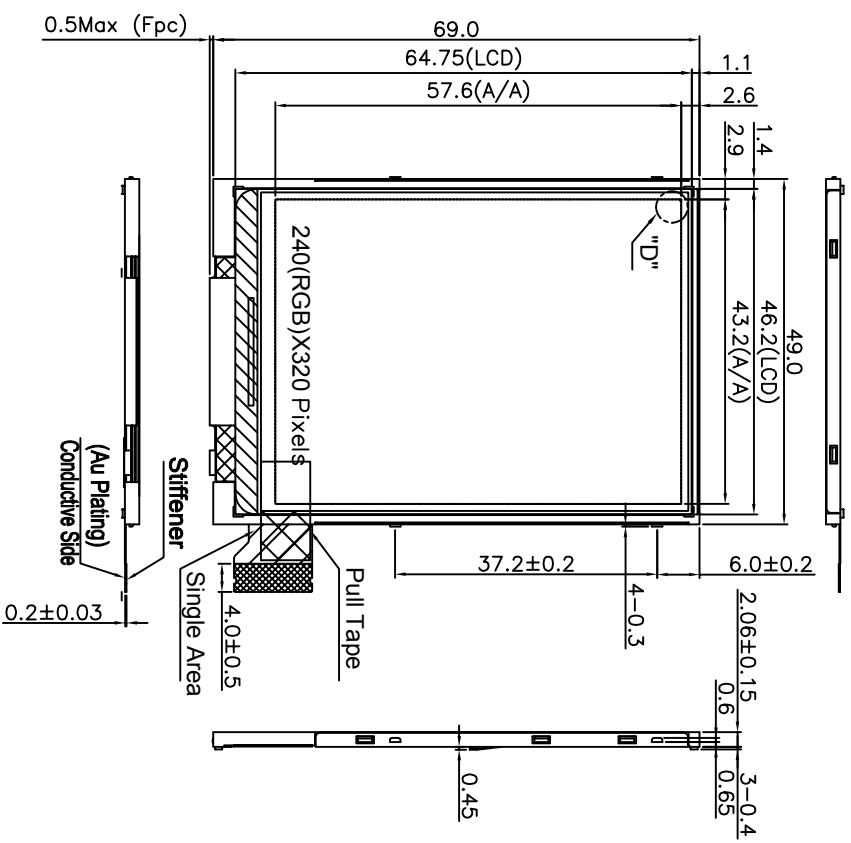
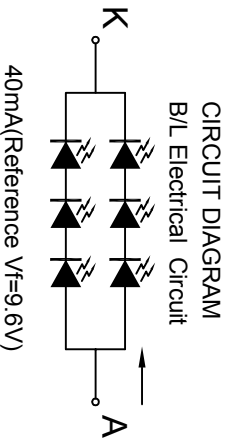
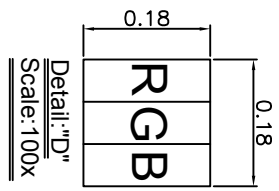
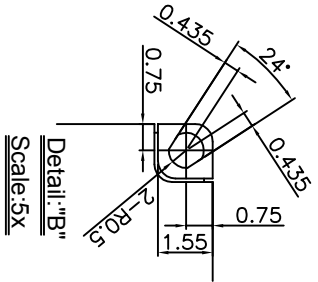


Count drawing & Spec revision record during discussion with customer

Rev.	Revision content description	Date
#1	FIRST ISSUE	2016-10-05



- Specification:
1. Display mode: 2.8" TFT/ Transmissive
  2. Display Color: 262K
  3. Viewing Direction: Full View
  4. Controller IC: ST7789V
  5. Operating temperature: -20°C to +70°C
  6. Backlight: 6chip White LED
  7. Unspecified tolerance: ±0.30mm.
  8. ROHS compliant



<b>YEEBO</b>			MOD. Name	YB-TG240320S27A-N-B			Sheet	1
DESIGNED	CHECKED	VERIFIED	APPROVED	FILE NAME	Count Dwg.			
UNIT	SIZE	SCALE						
mm	A4	N-T-S						

NO.	SYMBOL	LCD MODULE FPC PIN OUT
1	GND	
2	IM0	
3	IM1	
4	TE	
5	GND	
6	DB17	
7	DB16	
8	DB15	
9	DB14	
10	DB13	
11	DB12	
12	DB11	
13	DB10	
14	DB9	
15	DB8	
16	IOVCC	
17	DB7	
18	DB6	
19	DB5	
20	DB4	
21	DB3	
22	DB2	
23	DB1	
24	DB0	
25	ICS	
26	RS	
27	WR	
28	RD	
29	/REST	
30	VCI	
31	GND	
32	LED+	
33	GND	
34	LED-	
35	GND	