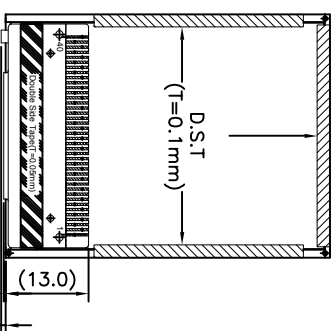
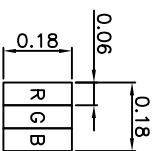
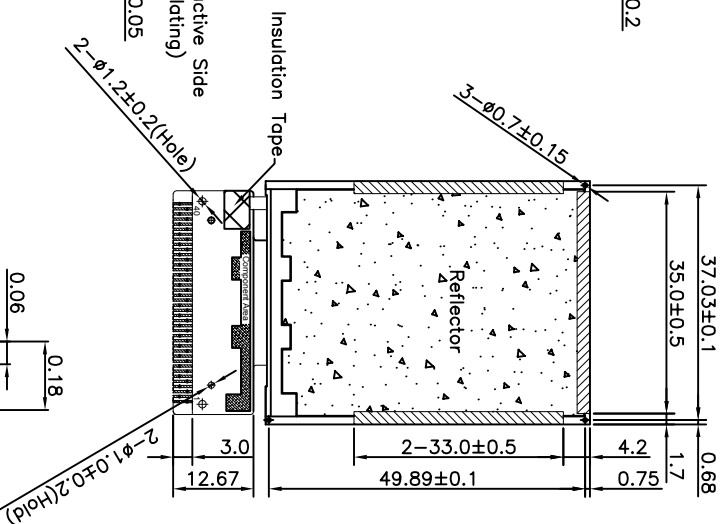
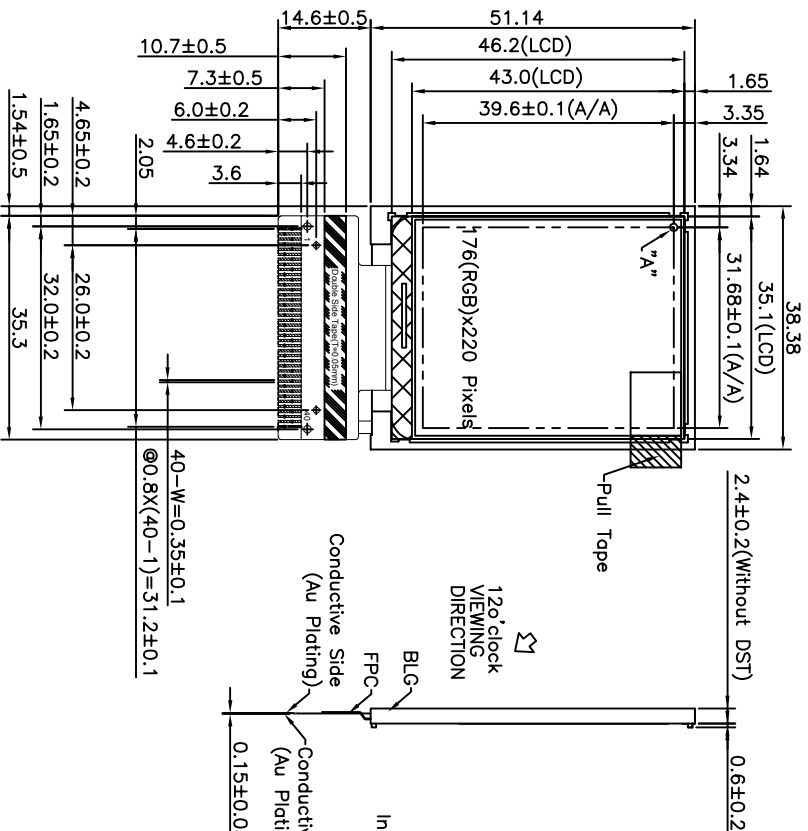
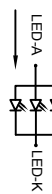


Count drawing & Spec. revision record during discussion with customer		Revision content description		Date
Rec.		FIRST ISSUE	2014-02-11	
#1		Modify Specification Δ	2015-09-04	
#2				



FPC Bending Diagram

B/L CIRCUIT DIAGRAM
45mA(Reference Vf=3.2V)



Specification:

1. Display mode: 2.0" TFT(262k)/Normally White/Transmissive
2. Drive condition: Vcc=2.8V
3. Viewing direction: Gray Inversion direction: 12 O'clock
The Best Viewing Direction: 6 O'clock

4. Operating temperature: -20°C to +70°C
5. Storage temperature: -30°C to +80°C
6. Drive IC is: ST7775R
7. Backlight color: White(LEDX3; LED must have Japan patent right)
8. Luminance: 150cd/m2(Typ)
9. Unspecified tolerance: ±0.30mm
10. ROHS compliant

		MOD. Name	YB-TG176220S12A-N-B	DESIGNED	CHECKED	VERIFIED	APPROVED	FILE NAME
		DESIGNED						Count Dwg
UNIT	SIZE	SCALE						
mm	A4	N-T-S						
Sheet	1	Of	1					