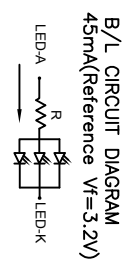
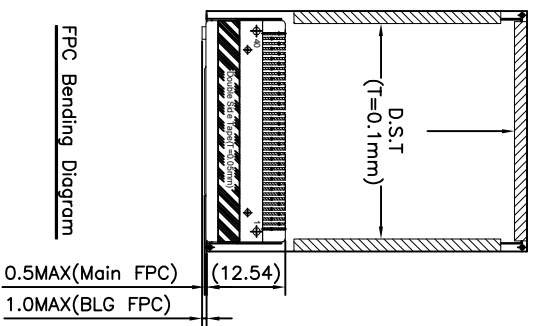
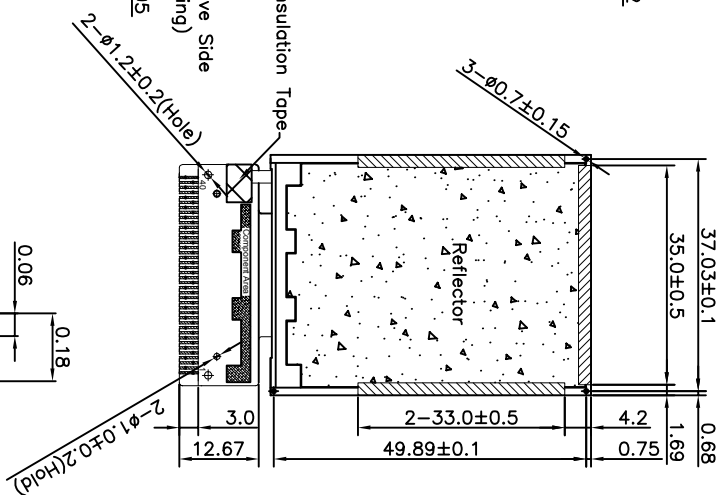
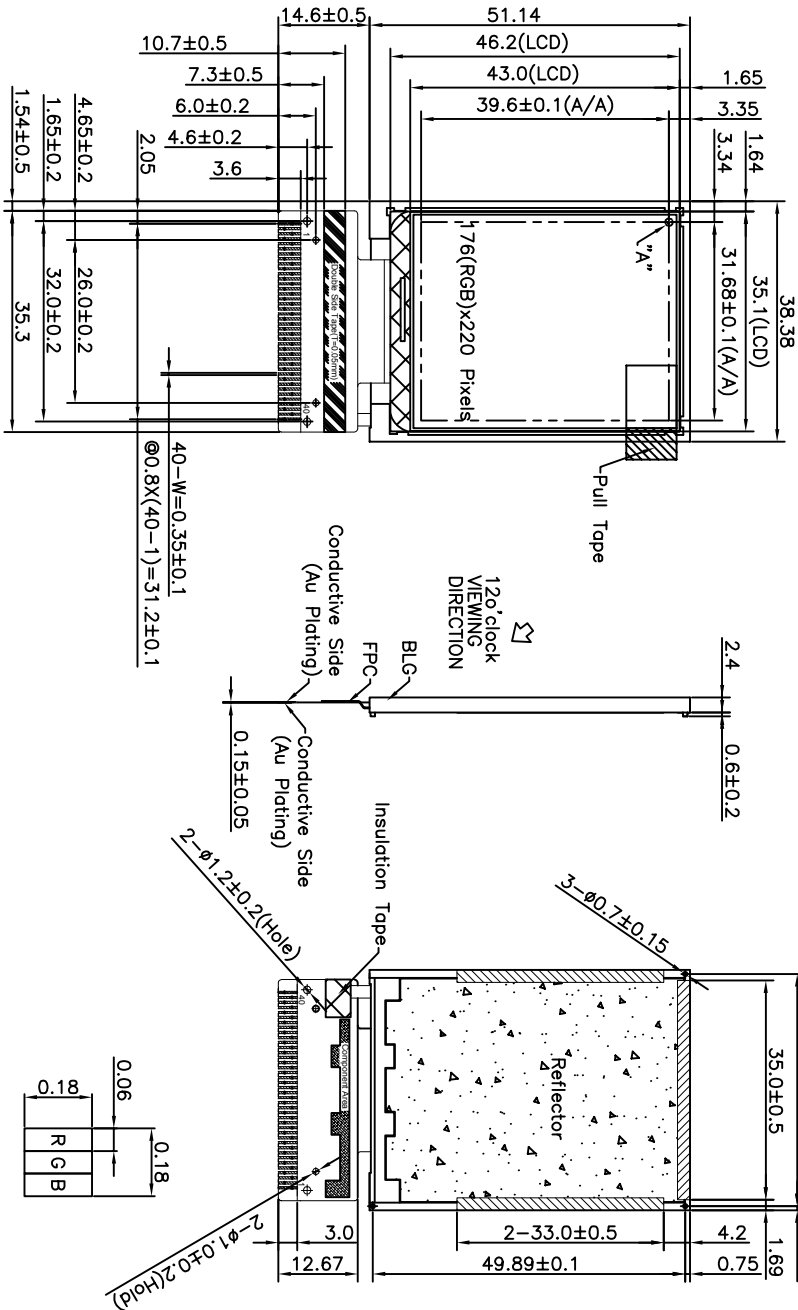


Rec:	Revision content description	Date
#1	FIRST ISSUE	2013-11-20



Specification:

1. Display mode: 2.0" TFT(262k)/Normally White/Transmissive
2. Drive condition: Vcc=2.8V
3. Viewing direction: 12 O'clock
4. Operating temperature: -20°C to +70°C
Storage temperature: -30°C to +80°C
5. Drive IC is: ST7775R
6. Backlight color: White(LED X3) ; Luminance:300cd/m2(Typ)
7. Unspecified tolerance: ±0.30mm
8. ROHS compliant

<h1>YEEBO</h1>			MOD. Name	DESIGNED	CHECKED	VERIFIED	APPROVED	FILE NAME
UNIT: mm			YB-TG176220S12A-N-A					Sheet 1
SCALE: N-T-S								Of 1
Count Dwg.								

PIN	ASSIGNMENT
No:	Symbol
1	GND
2	VCC
3	VCC
4	IOVCC
5	IM0
6	IM1
7	IM2
8	IM3
9	DB0
10	DB1
11	DB2
12	DB3
13	DB4
14	DB5
15	DB6
16	DB7
17	DB8
18	DB9
19	DB10
20	DB11
21	DB12
22	DB13
23	DB14
24	DB15
25	DB16
26	DB17
27	SD0
28	W/R(SCL)
29	R/D
30	SDI
31	RESET
32	ENABLE
33	DOTCLK
34	HSYNC
35	VSYNC
36	CSX
37	D/C(RS)
38	NC
39	LEDA
40	LEDK